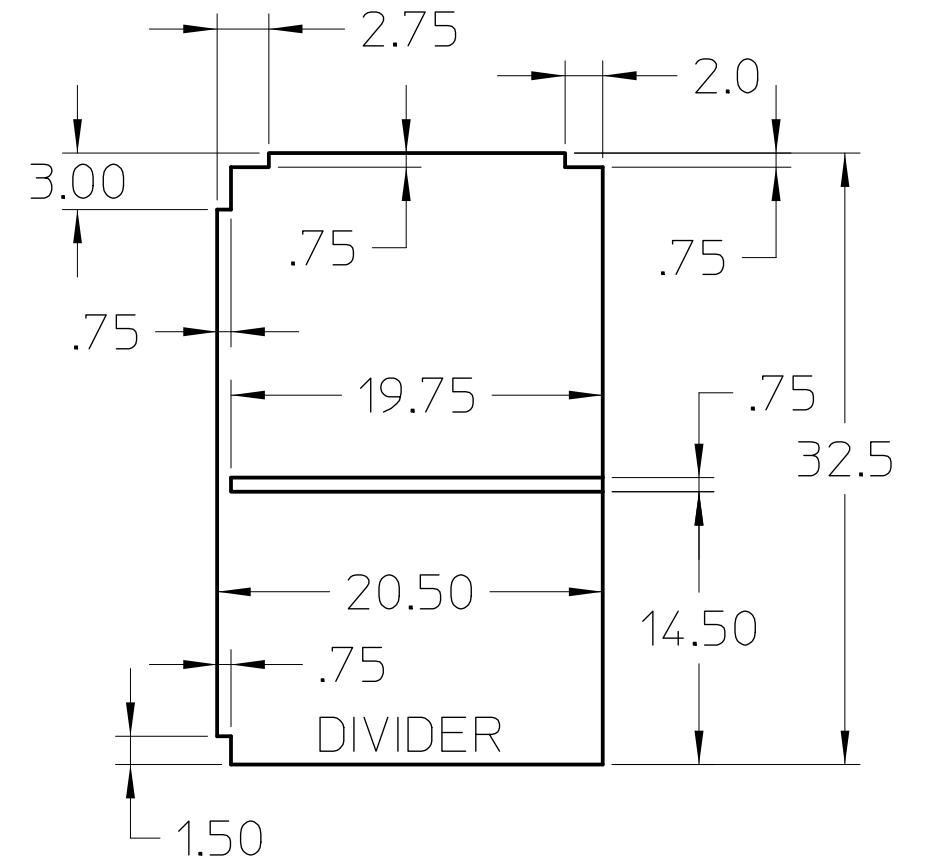
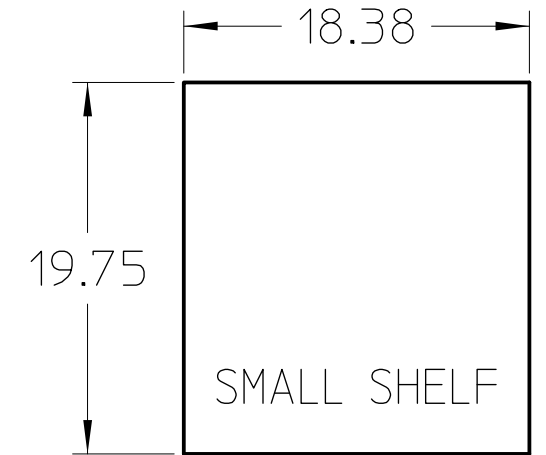
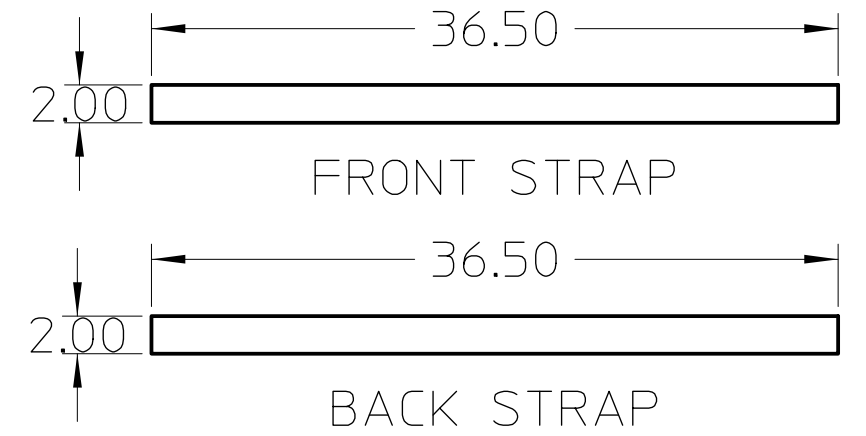
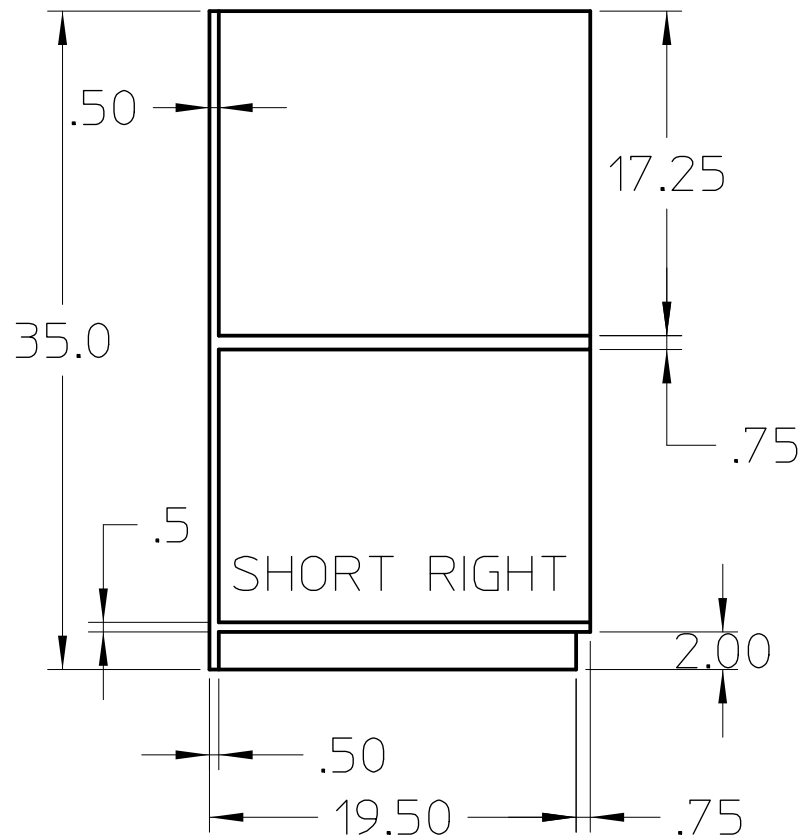
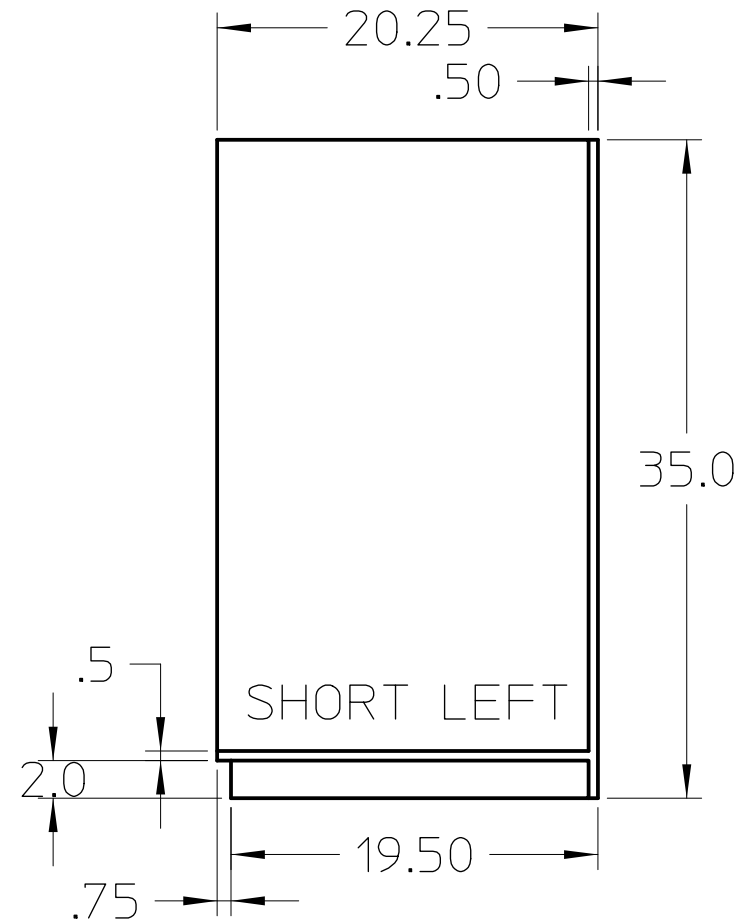
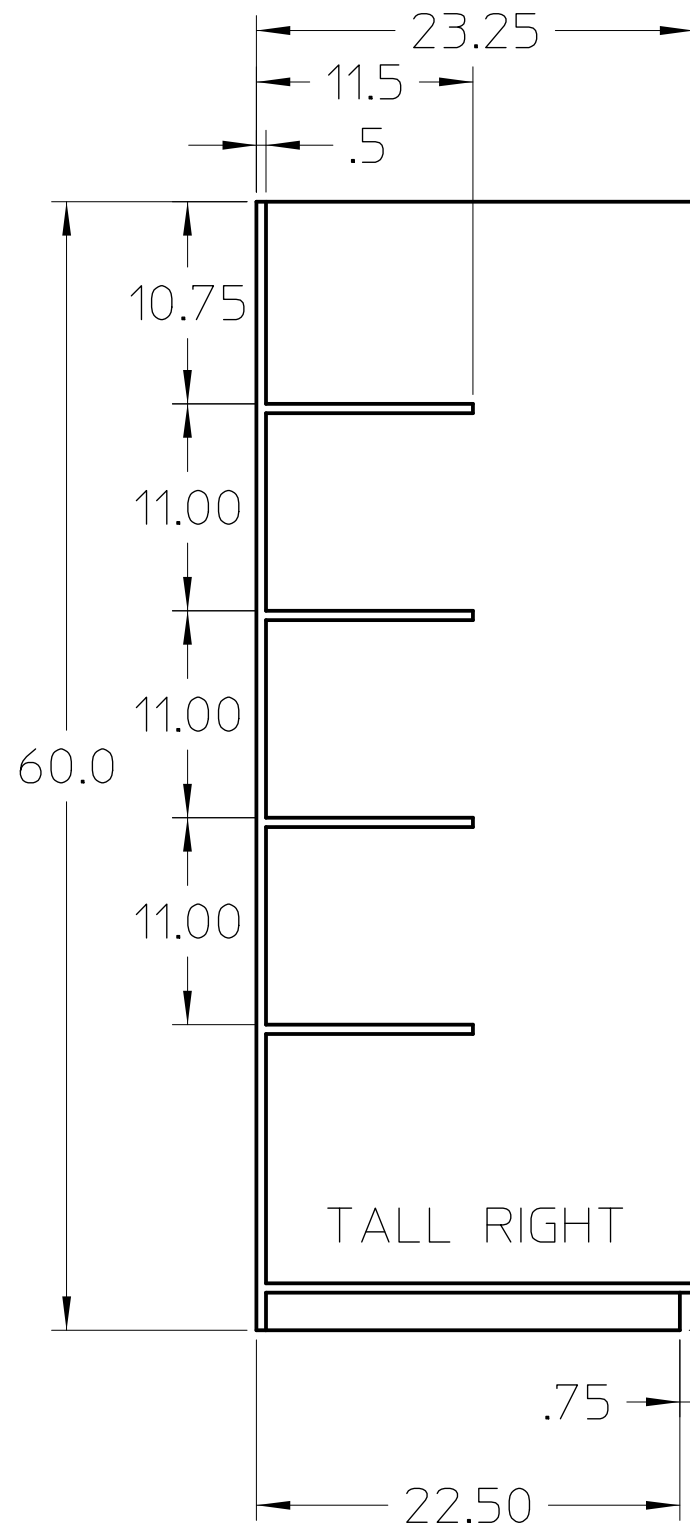
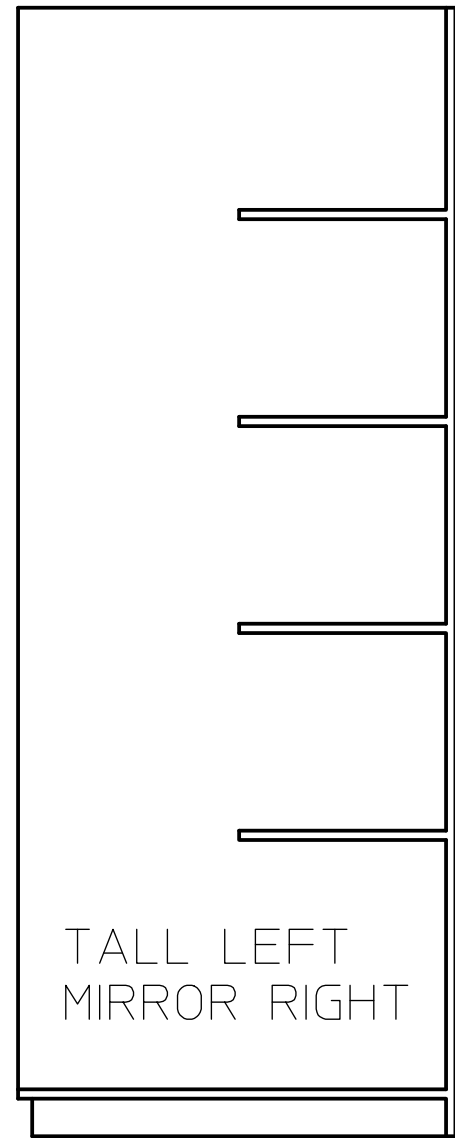


3/4" PLY



1/2" PLY

2

1

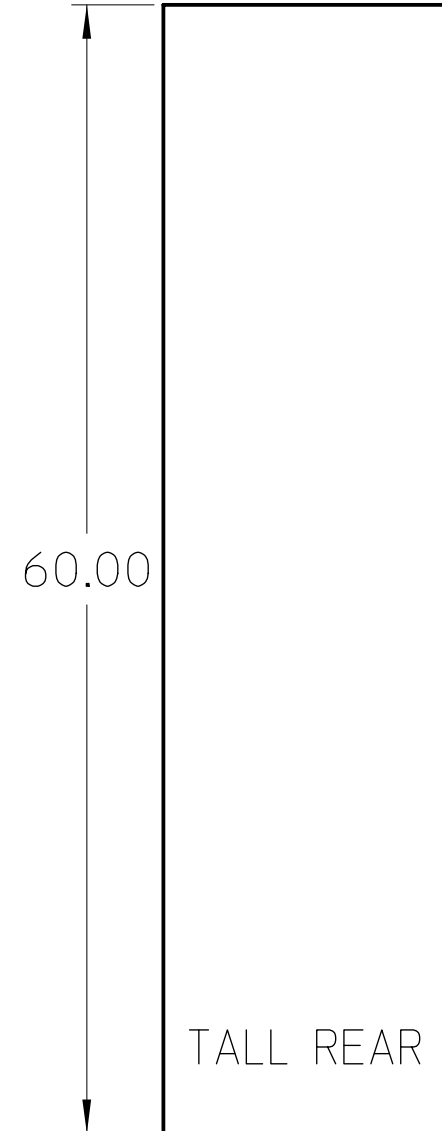
B

B

A

A

15.00

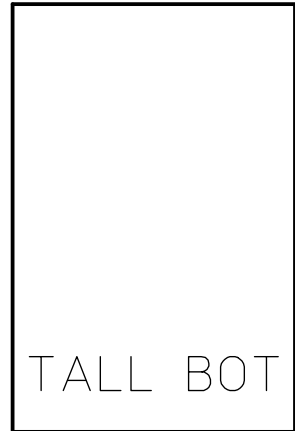


15.00



11.00

15.00



22.75

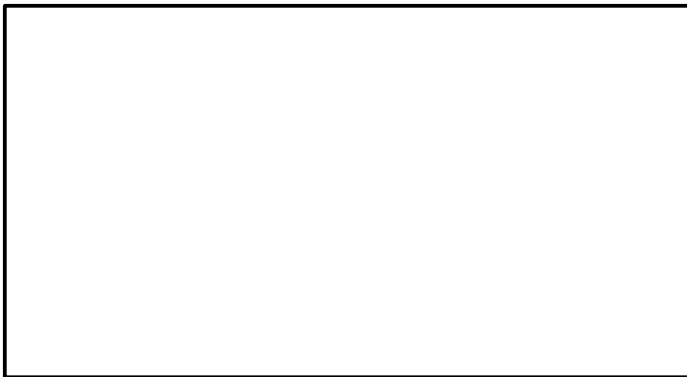
37.0



35.0

SHORT REAR

37.0



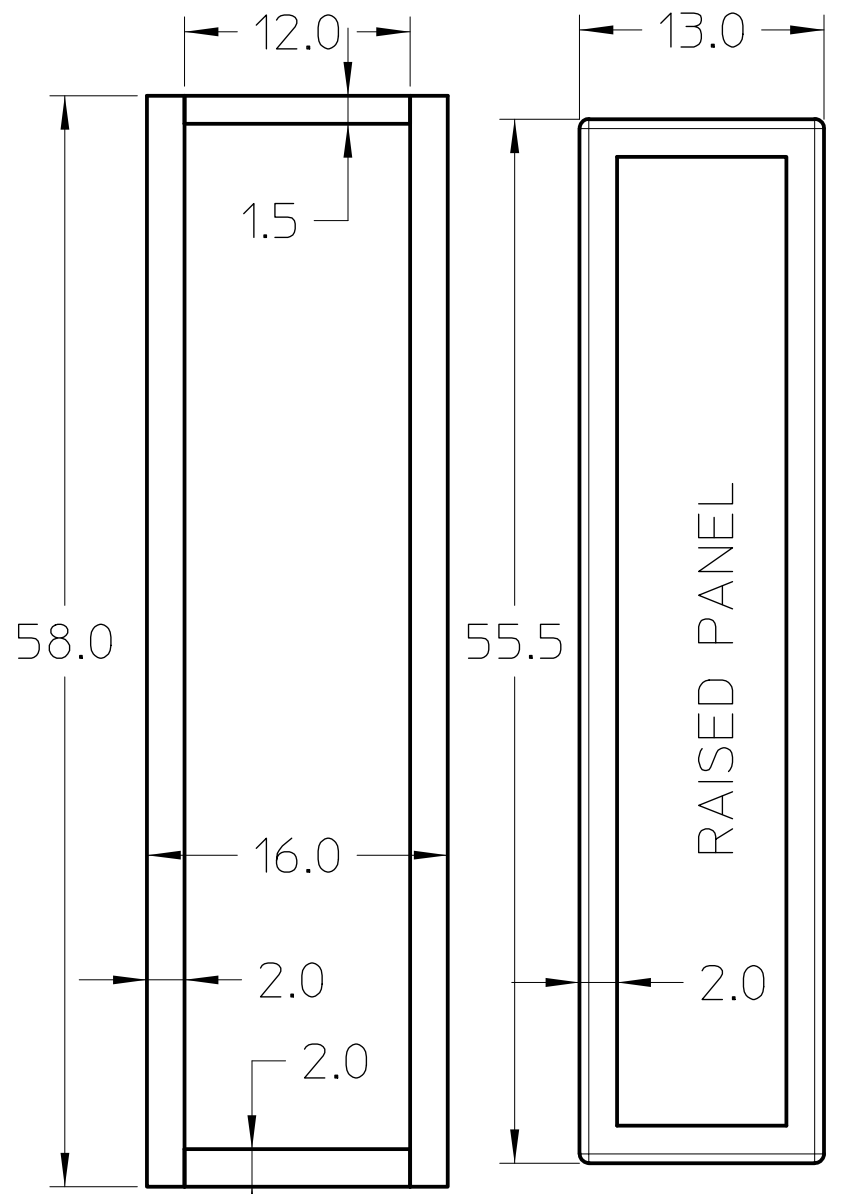
19.75

SHORT BASE

2

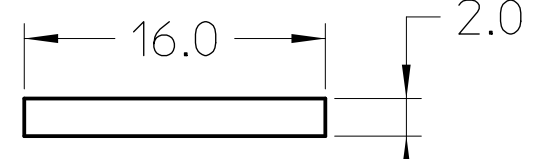
1

3/4" & 1" SOLID

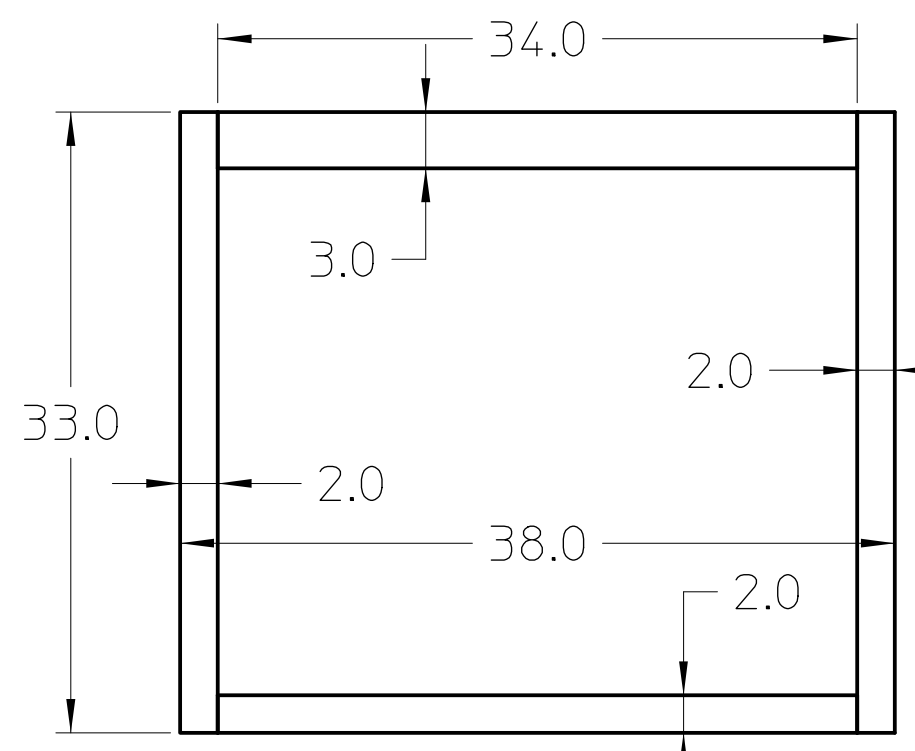


TALL FRAME

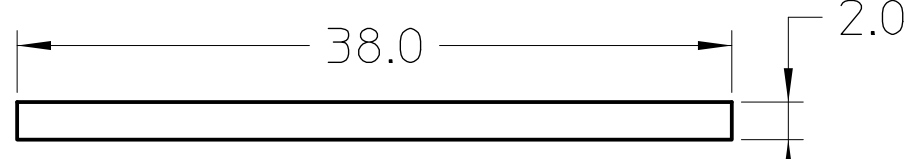
TALL DOOR



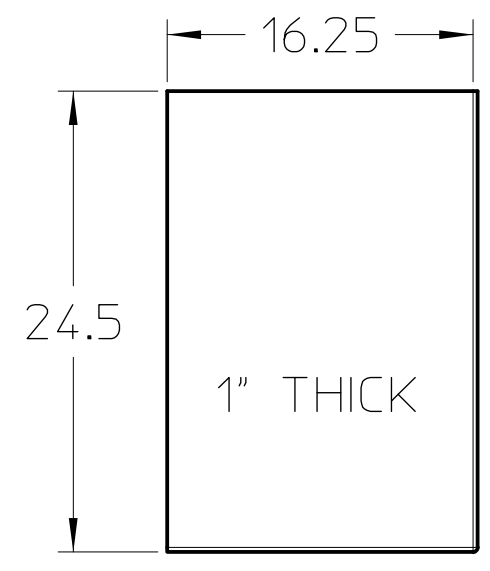
TALL KICK



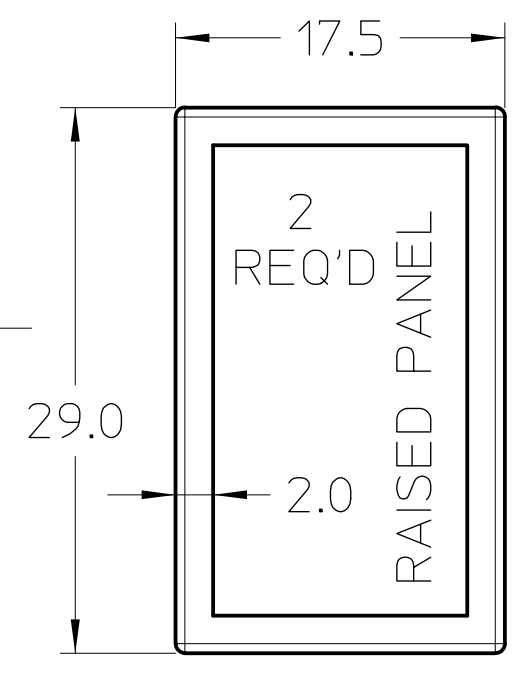
SHORT FACE FRAME



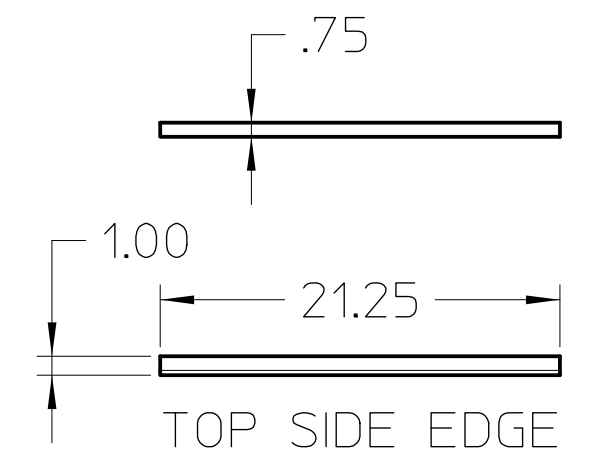
SHORT KICK



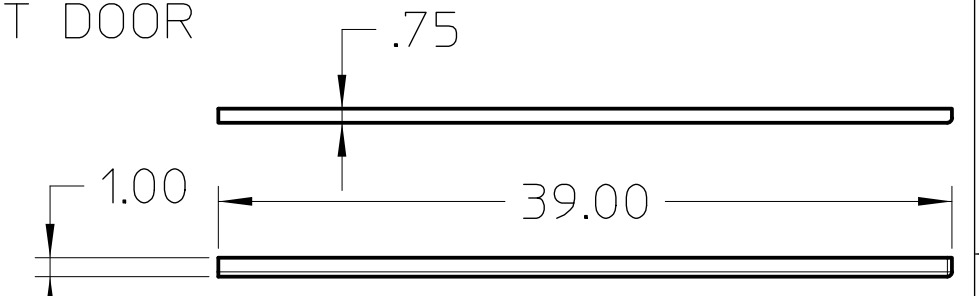
TALL TOP



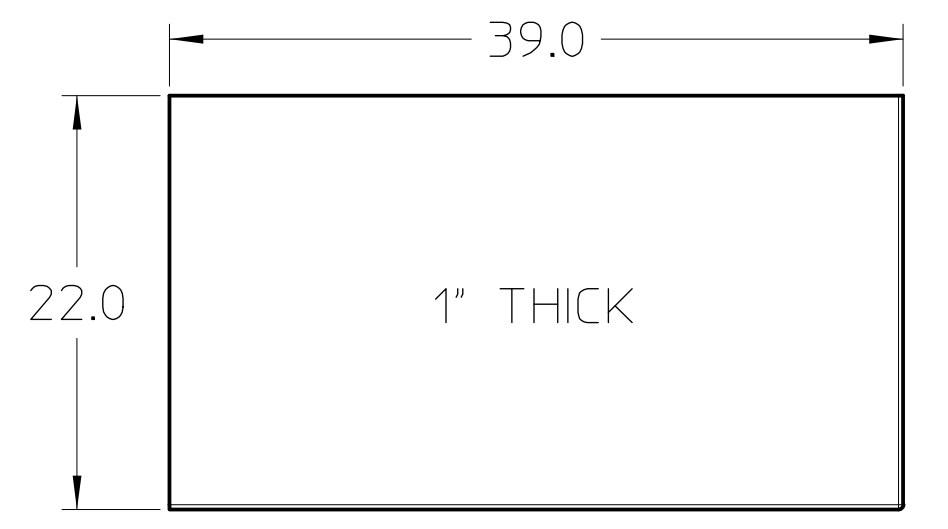
SHORT DOOR



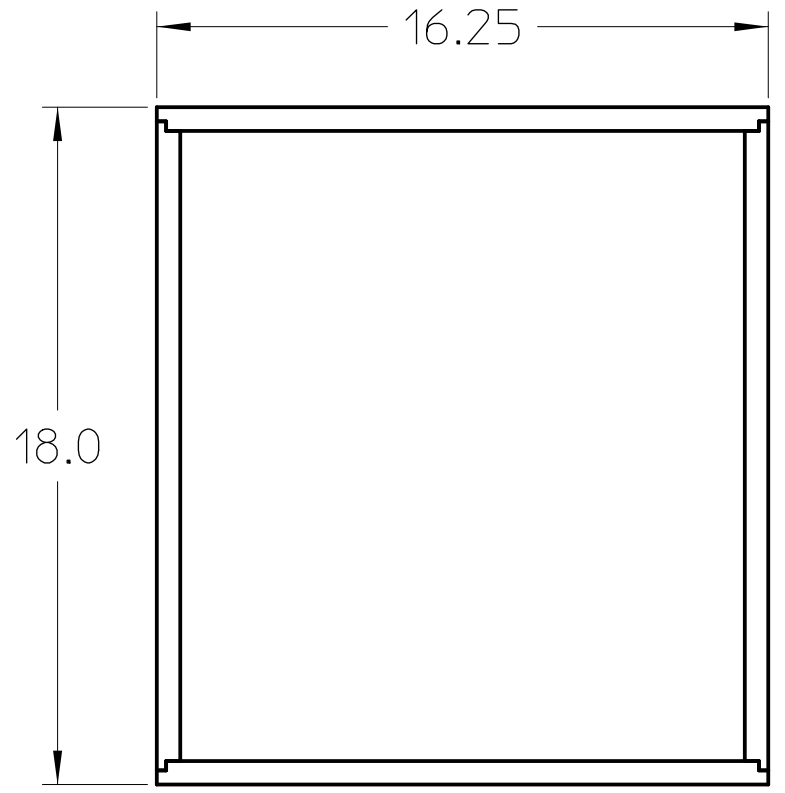
TOP SIDE EDGE



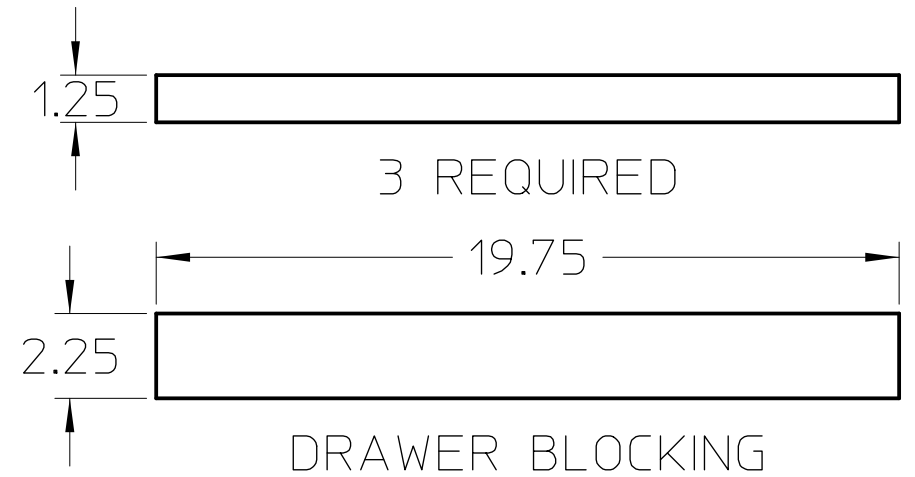
TOP FRONT EDGE



SHORT COUNTER TOP

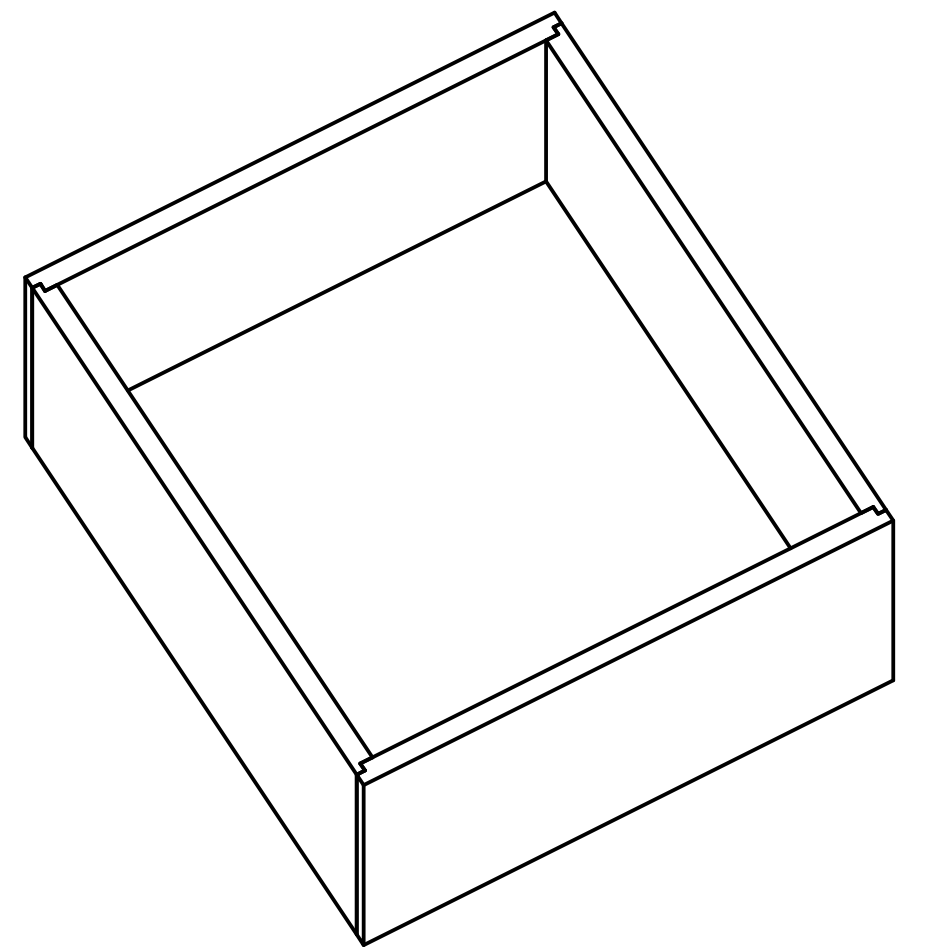


TOP5

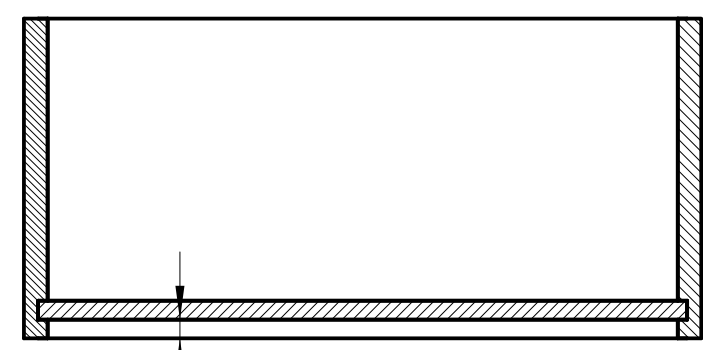


3 REQUIRED

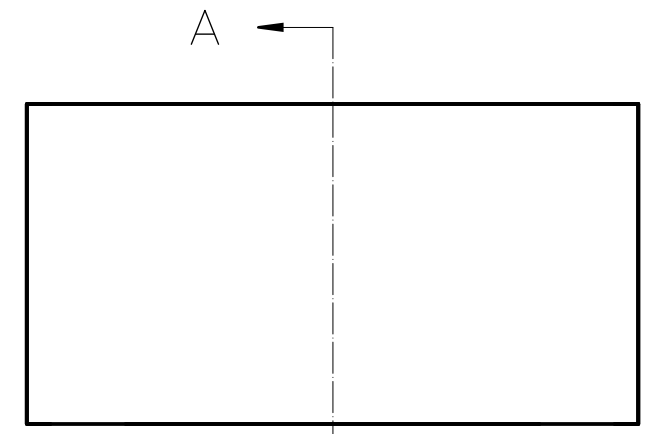
DRAWER BLOCKING



ISO1



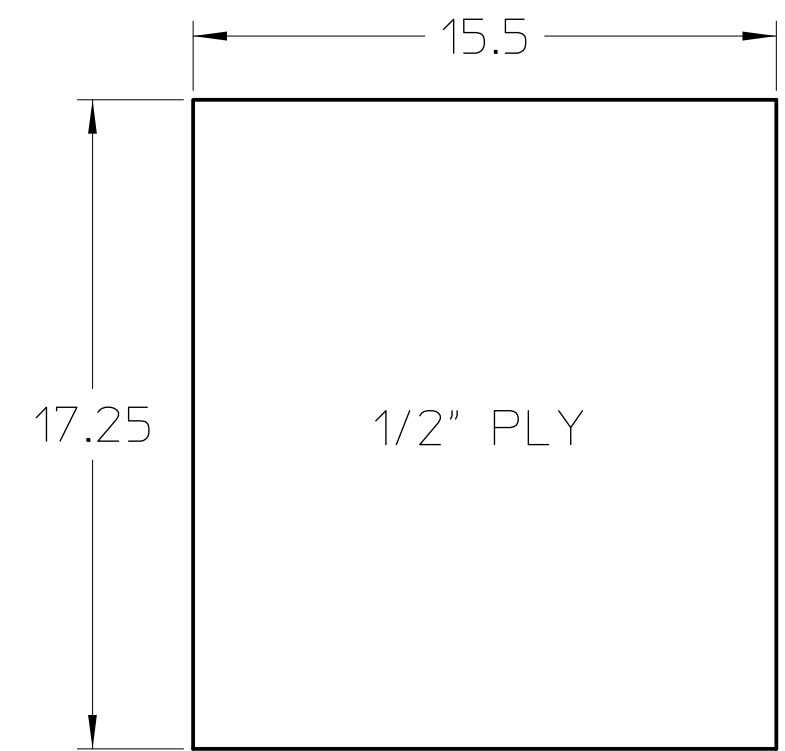
SECTION A-A



DRAWER
3 REQ'D



RIGHT1



1/2" PLY

DRAWER BOTTOM

2

1

2

1

B

B

A

A